

1250 kVA TPN

20ft Compact Units



KEY FACTS

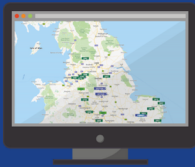
- 1250 kVA three phase diesel generator
- 20FT custom built fully bunded container
- Super silent construction
- Cummins engine
- Stand-by application rating of 1400kVA
- Prime power rating of 1250kVA three phase
- 3,500 litre fuel tank
- **SmartWater** - Theft Deterrent



Connect

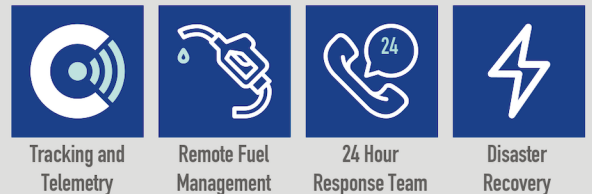
The MEMS telemetry system Connect is our bespoke cloud solution that connects our fleet in the field to our 24-hour control room, ensuring maximum uptime and scalable performance.

In addition to providing our customers with an unparalleled 24-hour monitoring service, MEMS offer round-the-clock live diagnostic information to engineers and technicians in the field.



- Daily health check monitoring
- Not-in-Auto alarms for standby applications
- Internal and external fuel tank monitoring and theft detection
- Advanced SCADA Instrumentation

Connect comes as standard across the entire MEMS fleet.

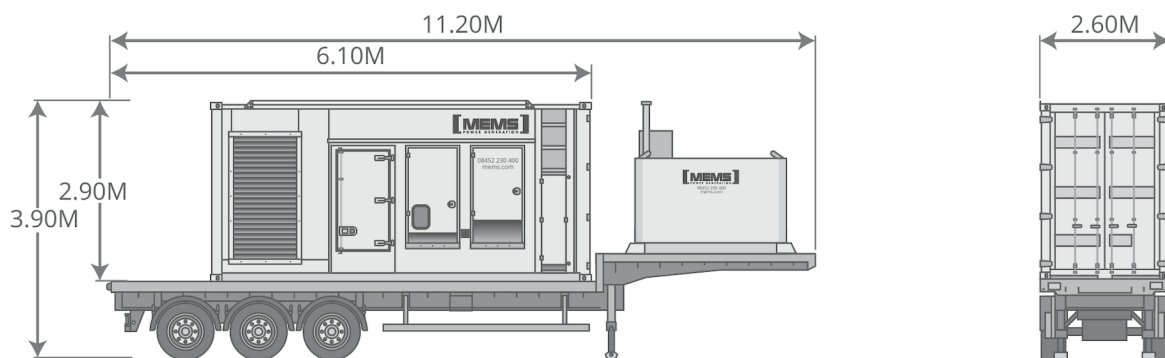


Dimensions Including Trailer

| | |
|-----------------|--------------------|
| Height - 3.90M | Width - 2.60M |
| Length - 11.20M | Weight - 29,790kgs |

Dimensions Excluding Trailer

| | |
|----------------|--------------------|
| Height - 2.90M | Width - 2.60M |
| Length - 6.10M | Weight - 16,980kgs |



- Custom designed sound attenuated container
- 32A C-Form single phase auxiliary supply input
- 4 pole motorised output circuit breaker
- 3,500 litre encapsulated fuel tank with external fill point
- AC/DC Lighting within container
- Cummins KTA50-G3
- Output of 1739A per phase
- 12mm termination up to 10 cables per phase
- Fuel consumption 199 litres per hour, based on 75% load
- Electronic Governing
- High speed automatic voltage regulation
- Noise level 65dba, based on 75% load
- 450 Hours service intervals



24 08452 230 400

mems.com
hello@mems.com

Introducing



POWER UP SUSTAINABLY: MAKE THE GREENER CHOICE.

Hire Clean, Make an Impact: Go Green with Cleaner Options.

At MEMS, we believe that every business has a responsibility to reduce its carbon footprint and actively contribute to a cleaner, healthier planet. That's why we've invested heavily in new technologies and cleaner fuel alternatives through our Cleaner Options. Our team is dedicated to helping you reach your sustainability targets by providing tailored solutions that meet your specific needs and requirements.

STAGE V

Low-emission Alternative

Upgrade to our Stage V compliant MEMS range of generators for reduced emissions and low-impact temporary power. Enjoy the same power output and performance with significantly reduced emissions compared to conventional generators. Our Stage V compliant range also offers advanced monitoring and control capabilities, ensuring maximum efficiency and optimal performance for your specific power requirements.

HVO

A Greener Fuel

MEMS offers hydrotreated vegetable oil (HVO) as a cleaner alternative to traditional diesel fuel. HVO is made from 100% renewable raw materials collected from waste and residues and has the potential to reduce greenhouse gas emissions by up to 90%. The adoption of HVO fuel can make a significant difference in reducing emissions and is a step towards a more sustainable future.

BATTERY HYBRID

Reduce Fuel Use & Emissions

Our advanced battery storage solutions offer a cutting-edge and cost-effective way for businesses to enhance efficiency and sustainability while lowering emissions and minimising noise pollution. Our adaptable battery fleet seamlessly integrates into existing generator systems, providing full control over energy consumption and working towards your sustainability goals.

LOAD ON DEMAND

A Cleaner Solution to Deliver Scalable Power

With MEMS Load on Demand, you can have a reliable power supply that adjusts to your business's changing needs. This smart solution ensures that you only use the power you need, when you need it, reducing your emissions, fuel consumption and costs.

