

200 kVA

Offloadable Units



- Custom designed sound attenuated canopy with remote cooling system for improved efficiency and reduced noise levels
- 450 hours service intervals
- Variable earth leakage protection
- 16A single phase auxiliary supply input
- Remote start terminals
- Total output rating of 278A per phase
- Fuel consumption 28.9 litres per hour, based on 75% load
- Sound pressure level (LpA) 59 dB(A) at 7m

Connect

The MEMS telemetry system Connect is our bespoke cloud solution that connects our fleet in the field to our 24-hour control room, ensuring maximum uptime and scalable performance.

In addition to providing our customers with an unparalleled 24-hour monitoring service, MEMS offer round-the-clock live diagnostic information to engineers and technicians in the field.



- Daily health check monitoring
- Not-in-Auto alarms for standby applications
- Internal and external fuel tank monitoring and theft detection
- Advanced SCADA Instrumentation

Connect comes as standard across the entire MEMS fleet.

STAGE

LOW EMISSIONS CERTIFIED



KEY FACTS

- Ultra low emissions
- 200 kVA three-phase diesel generator
- Fuel Type: Diesel/HVO
- DSE 8610 MK2 control panel
- 540 litre Fuel tank
- 43 litre AdBlue tank
- Off-loadable unit fully bundled to 110%
- SmartWater - Theft deterrent



Tracking and Telemetry



Remote Fuel Management



24 Hour Response Team



Disaster Recovery

Exhaust Emissions

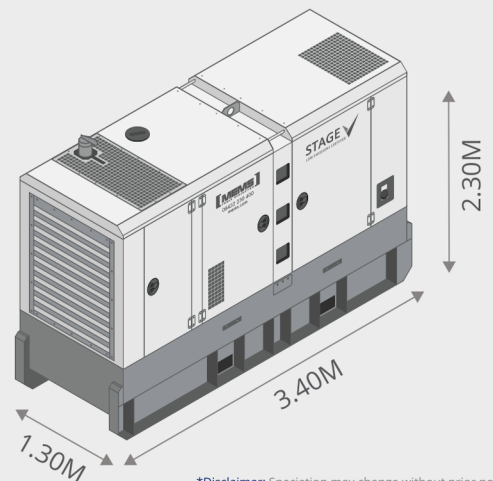
NOx - 0.192 g/kWh	CO - 0.0143 g/kWh
PM - 0.0032 g/kWh	HC - 0 g/kWh

Weight

Wet Weight - 3,600Kgs
Dry Weight - 3,100Kgs

Dimensions

Height - 2.30M	Width - 1.30M
Length - 3.40M	



*Disclaimer: Speciation may change without prior notice

Introducing



POWER UP SUSTAINABLY: MAKE THE GREENER CHOICE.

Hire Clean, Make an Impact: Go Green with Cleaner Options.

At MEMS, we believe that every business has a responsibility to reduce its carbon footprint and actively contribute to a cleaner, healthier planet. That's why we've invested heavily in new technologies and cleaner fuel alternatives through our Cleaner Options. Our team is dedicated to helping you reach your sustainability targets by providing tailored solutions that meet your specific needs and requirements.

Commitment to Sustainable Innovation: Advancing Clean Energy Solutions for a Better Future

HVO

A Greener Fuel

MEMS offers hydrotreated vegetable oil (HVO) as a cleaner alternative to traditional diesel fuel. HVO is made from 100% renewable raw materials collected from waste and residues and has the potential to reduce greenhouse gas emissions by up to 90%. The adoption of HVO fuel can make a significant difference in reducing emissions and is a step towards a more sustainable future.

BATTERY HYBRID

Reduce Fuel Use & Emissions

Our advanced battery storage solutions offer a cutting-edge and cost-effective way for businesses to enhance efficiency and sustainability while lowering emissions and minimising noise pollution. Our adaptable battery fleet seamlessly integrates into existing generator systems, providing full control over energy consumption and working towards your sustainability goals.

LOAD ON DEMAND

A Cleaner Solution to Deliver Scalable Power

With MEMS Load on Demand, you can have a reliable power supply that adjusts to your business's changing needs. This smart solution ensures that you only use the power you need, when you need it, reducing your emissions, fuel consumption and costs.



Want to know more? Call 08452 230 400, email hello@mems.com or visit mems.com